

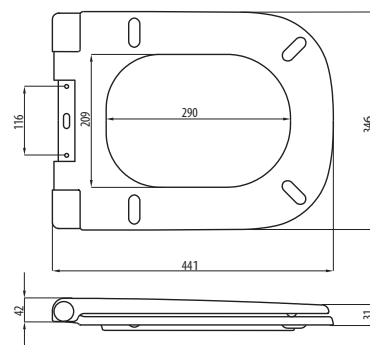
FUENGIROLA



023/MWC

2500g

COLOURS:   



METAL HINGE, SOFT CLOSE, QUICK RELEASE - ONE BUTTON