

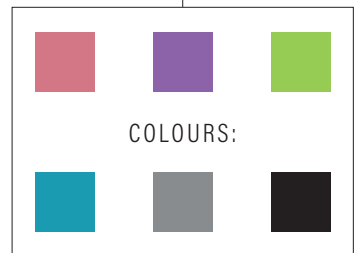
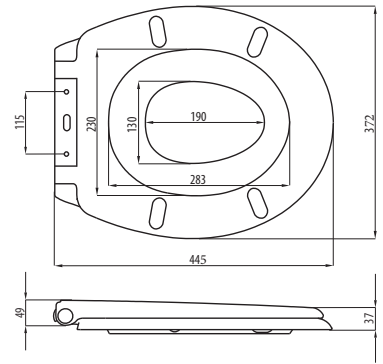
# NARJA



031/MWC

1590 g

COLOURS:  



METAL HINGE, SOFT CLOSE, QUICK RELEASE - ONE BUTTON