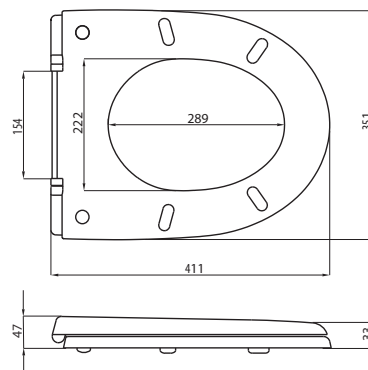


VENUS



020/...
1690 g

COLOURS:   



020/A
PLASTIC HINGE



020/AW
PLASTIC HINGE, SOFT CLOSE



020/M
METAL HINGE



020/MW
METAL HINGE, SOFT CLOSE