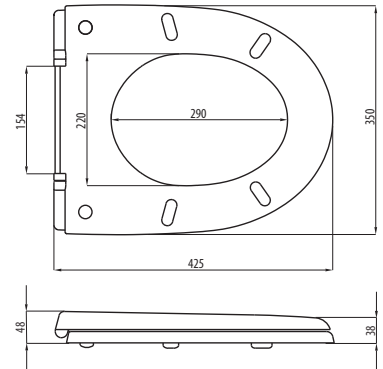


# VENUS



020/...  
1690 g

COLOURS:   



**020/A**  
PLASTIC HINGE



**020/AW**  
PLASTIC HINGE, SOFT CLOSE



**020/M**  
METAL HINGE



**020/MW**  
METAL HINGE, SOFT CLOSE