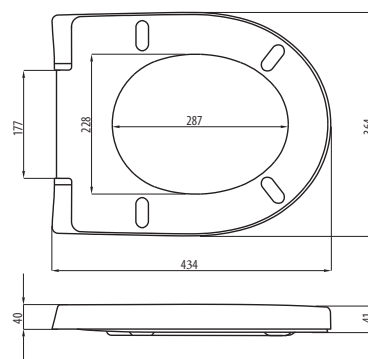


MAJORKA



049/...
2500 g

COLOURS:   



049/A
PLASTIC HINGE



049/AW
PLASTIC HINGE, SOFT CLOSE



049/M
METAL HINGE



049/MW
METAL HINGE, SOFT CLOSE